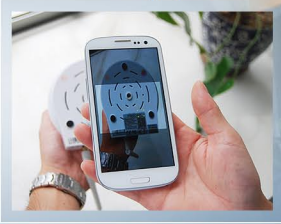


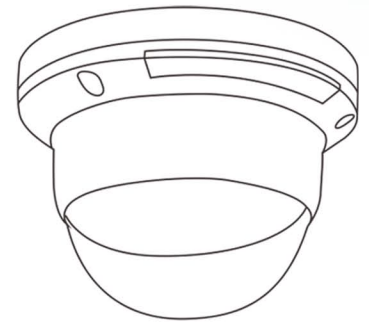
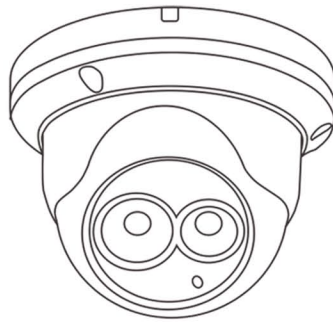
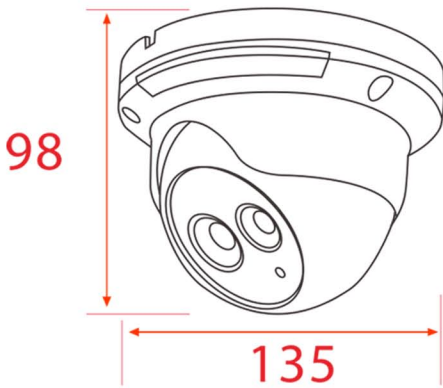
HD PoE Dome IP Camera

P2P



Micro SD HD Supports Micro SD Card Long-Time Recording

POE Power Over Ethernet



- HD**
1280X720 Megapixel
720P(1280X720) Display Resolution
- Motion Detection**
Motion Detection via Email and FTP
- Night Vision**
Day/Night Surveillance
- iOS&Android**
Compatible with Free iOS and Android APP
- POE**
Power Over Ethernet
PoE Powering
- P2P**
Easy Access
Instant Access by QR Code Scanning

- H.264**
Video Compression
H.264 Video Compression
- FREE DDNS**
Foscam DDNS Service Inside
Embedded Free DDNS Service
- IR-Cut**
Embedded IR-Cut Filter
- ONVIF**
Compatible with ONVIF-embedded NVR/NAS
- IP66**
waterproof
1.0Megapixels HD Waterproof IP Camera
- Micro SD HD**
Supports Micro SD Card Storage

Specification		
ITEMS		F19853EP
Image Sensor	Sensor	High Definition Color CMOS Sensor
	Display Resolution	1280 x 720 (1.0M Pixels)
	Min. Illumination	0 Lux (With IR Illuminator)
Lens	Lens Type	Glass Lens
	focal length	f:2.8mm
	Aperture	F1.2
	Angle of View	70°
Video	Image Compression	H.264
	Image Frame Rate	30fps(60Hz), 25fps(50Hz), downward adjustable
	Resolution	720P(1280 x 720), VGA(640 x 480), QVGA(320 x 240)
	Stream	dual stream
	Image adjustment	The hue, brightness, contrast, saturation, sharpness are adjustable
	Flip image	flip and mirror
	Infrared mode	Automatic or manual
	Night visibility	With 1 Infrared Lamp Array, Night Vision Range up to 20m
Network	Ethernet	One 10/100Mbps RJ45 port
	Network Protocol	IP、TCP、UDP、HTTP、HTTPS、SMTP、FTP、DHCP、DDNS、UPnP、RTSP、ONVIF
System Requirements	Operating System	Microsoft Windows 2000/XP, Vista, 7,8; Mac OS
	Browser	Microsoft IE6 and above version or compatible browser; Mozilla Firefox; Google Chrome; Apple Safari.
Other Features	Motion Detection	Alarm via E-Mail, upload alarm snapshot to FTP
	External Card Slot	Micro-SD 32G(Max)
	Privacy Block	Set privacy area manually
	User Accounts	Three levels user role
	Firewall	Supports IP Filtering
	Reset	Reset button is available
Power	Power Supply	DC 12V/1.0A;PoE (802.3af)
	Power Consumption	4.2 Watts (Max.)
Physical	Dimension(LxWxH)	135(L)x135(W)x98(H)
	Net Weight	560g
Environment	Operating Temperature	-20° C ~ 55° C (-4° F ~ 131° F)
	Operating Humidity	10% ~ 80% non-condensing
	Storage Temperature	-20° C ~ 60° C (-4° F ~ 140° F)
	Storage Humidity	0% ~ 90% non-condensing
Certification	CE, FCC, RoHS	
Warranty	Limited 2-year warranty	

ShenZhen Foscam Intelligent Technology Limited

Address: North Wing, 5/F, Block 1, Vision Shenzhen Business Park, No.9 Gaoxin 9th South Road, Shenzhen Hi-tech Industrial Park, Nanshan District, Shenzhen, 518057, China
 Tel: +86-755-26745668 Fax: +86-755-26745168
 E-mail: sales@foscam.com Website: www.foscam.com